

### PART NUMBER CALL OUT

008 - 02 - F - 621 - C

CLEVIS (LEAVE BLANK IF NOT REQUIRED)

C = CSF CLEVIS

S = SPECIAL CLEVIS

STUD LENGTH (A) IN MM (1/10<sup>TH</sup>)

E.G. -621 = 62.1 MM

BOTTOM HOUSING TYPE

F = FLAT TYPE

H = HOOK TYPE

HANDLE TYPE

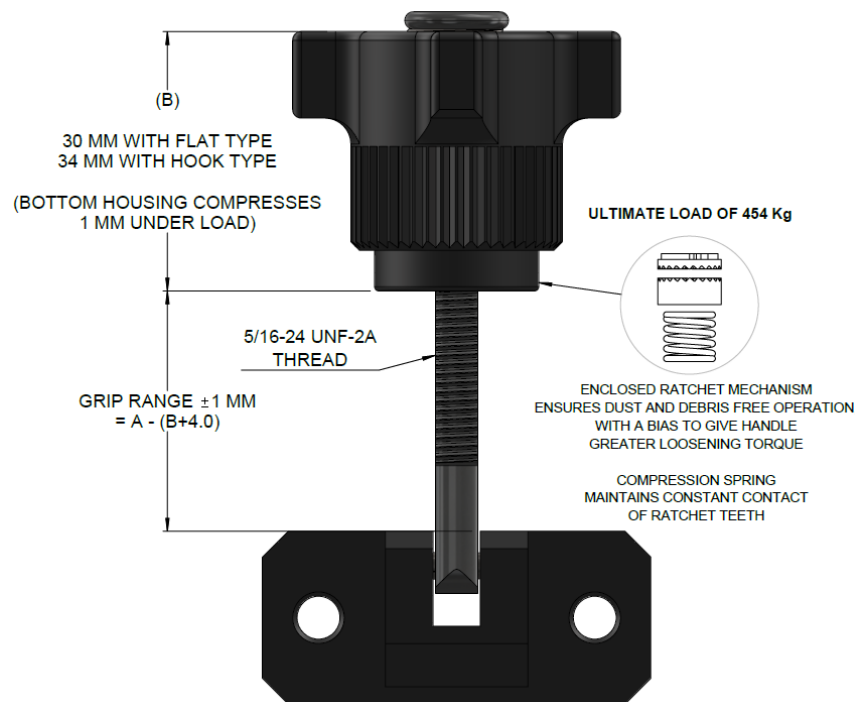
01 = CIRCULAR HANDLE

02 = NOTCHED HANDLE

HOLD DOWN SERIES

PART NUMBER EXAMPLE:

008-02-F-6210-C = HOLD DOWN, NOTCHED HANDLE, FLAT TYPE, 62.1 MM STUD LENGTH, WITH CSF CLEVIS



HOLD DOWN  
008 SERIES

	<p><b>STUD</b></p> <p>STUD LENGTH (A) 62.10 MM 52.10 MM</p>	<p>HIGH STRENGTH STUD WITH EXCELLENT CORROSION RESISTANCE</p> <p>MATERIAL - 17-4 PH STAINLESS STEEL</p> <p>FINISH - MOLYKOTE 106</p>
	<p><b>HANDLE STYLES</b></p>	<p>HAND OPERATED ERGONOMIC HANDLE DESIGN WITH EXTRA GRIP OPTION FOR HIGHER TORQUE AND GLOVED OPERATION</p> <p>MATERIAL - ALUMINIUM 6082-T6</p> <p>FINISH - HARD ANODIZED (BLACK)</p>
	<p><b>BOTTOM HOUSING</b></p> <p>HOOK TYPE (H)</p> <p>OR</p> <p>FLAT TYPE (F)</p> <p>Ø 19.00</p>	<p>NONE ROTATING BOTTOM HOUSING IN TWO STYLES; FLAT OR HOOK TYPE</p> <p>MATERIAL - 17-4 PH STAINLESS STEEL</p> <p>FINISH - FLURENE 611 PTFE COATING IN BLACK</p>
	<p><b>CLEVIS</b></p> <p>STUD ROTATION RANGE</p> <p>124°</p> <p>120°</p> <p>4.50</p> <p>4.00</p> <p>10</p>	<p>VERSATILE CLEVIS WITH WIDE RANGE OF MOTION FOR STUD</p> <p>OPTIONAL OR BESPOKE SOLUTIONS CAN DESIGNED</p> <p>MATERIAL - 300 SERIES STAINLESS STEEL</p> <p>FINISH - FLURENE 611 PTFE COATING IN BLACK</p>